

Phone: 410-760-1446
 Fax: 410-760-7564
 Email: Sales@SFI.Zone



190 Penrod Ct
 Suite G
 Glen Burnie, MD 21061

Curb

Style CFI-1

* Company _____	Deliver to Company _____
* Contact Name _____	Deliver to Address _____
* Contact Number _____	_____
Contact Email _____	Site Contact 1 Name _____ Number _____
P.O. Number/JobName _____	Site Contact 2 Name _____ Number _____
Date Required _____	Delivery Day/s &Time/s _____

*** REQUIRED**

Curb Material

- Galvanized
- Aluminum
- Stainless Steel

Material Guage

- 18 guage
- 16 guage
- 14 guage
- 12 guage
- 10 guage

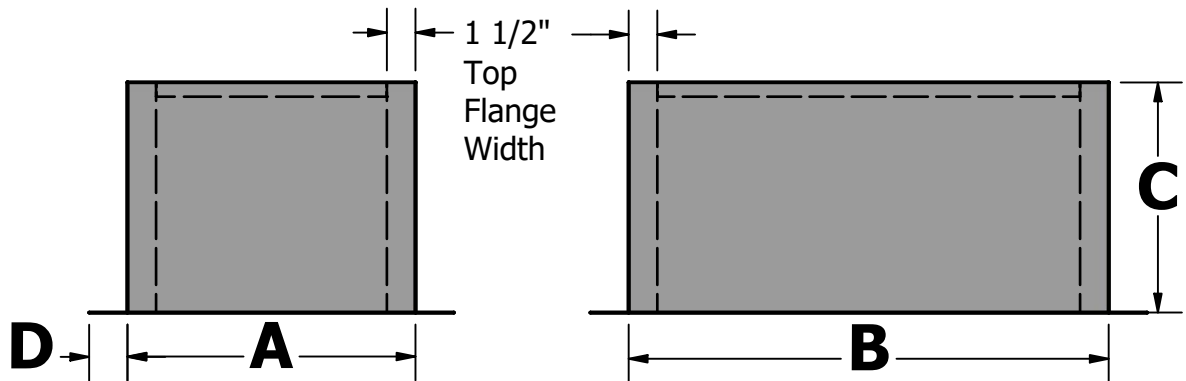
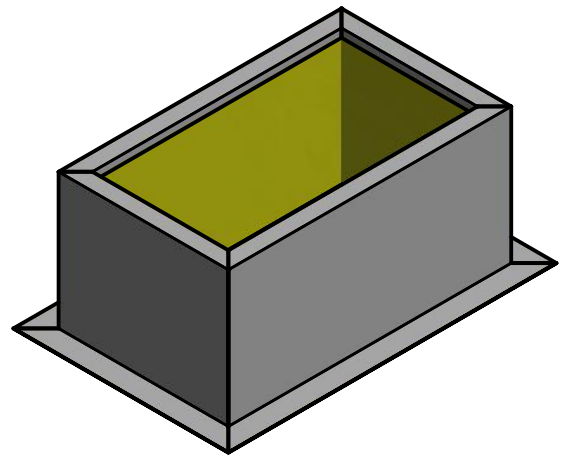
Options

- Pressure treated Nailer
- 1 1/2" 3lb Density Insulation
- Batt Insultaion
- Metal Liner Aluminum
- Metal Liner Galvanized
- Metal Liner Stainless Steel

Special Instructions

Features

UNITIZED CONSTRUCTION
 CONTINUOUS WELDED CORNER SEAMS



QTY

A
OD
 (ID=OD-3")

B
OD
 (ID=OD-3")

C
 total Height

D
 Flange Width

Tag