

Phone: 410-760-1446
 Fax: 410-760-7564
 Email: Sales@SFI.Zone



190 Penrod Ct
 Suite G
 Glen Burnie, MD 21061

Curb

Style CFO-1

* Company _____ Deliver to Company _____
 * Contact Name _____ Deliver to Address _____
 * Contact Number _____
 Contact Email _____ Site Contact 1 Name _____ Number _____
 P.O. Number/JobName _____ Site Contact 2 Name _____ Number _____
 Date Required _____ Delivery Day/s &Time/s _____

* REQUIRED

Curb Material

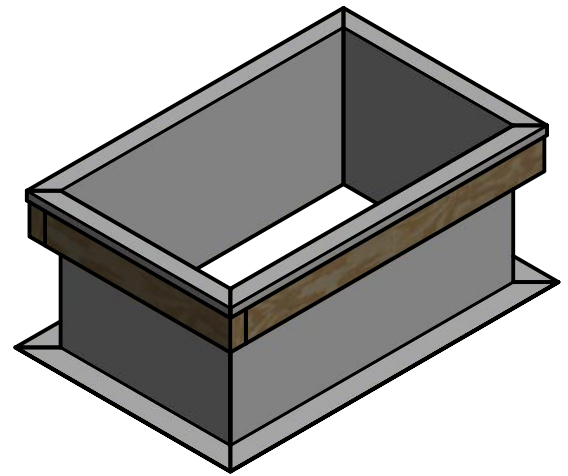
- Galvanized
- Aluminum
- Stainless Steel

Options

- Pressure Treated Nailer

Features

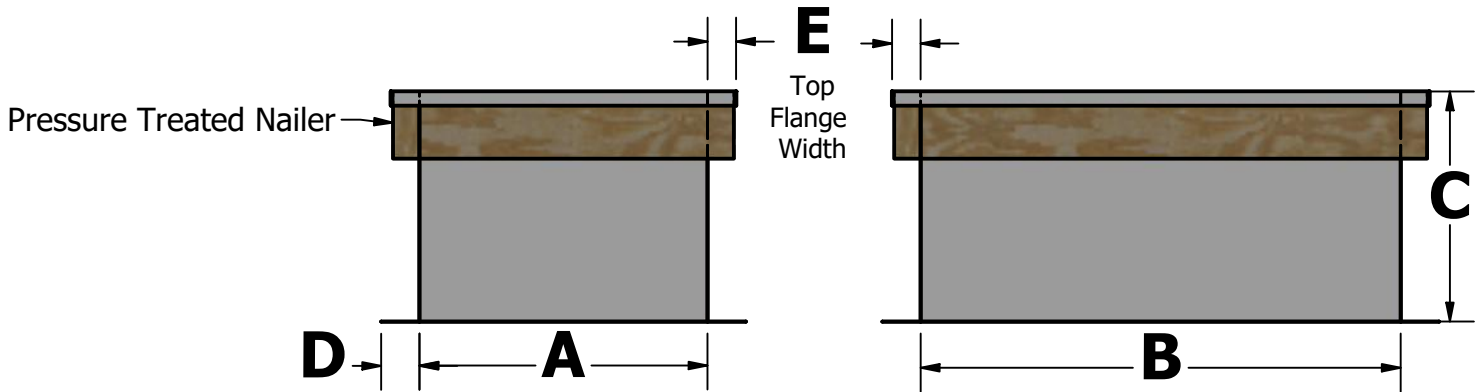
UNITIZED CONSTRUCTION
 CONTINUOUS WELDED CORNER SEAMS



Material Guage

- 18 guage
- 16 guage
- 14 guage
- 12 guage
- 10 guage

Special Instructions



QTY

A
OD

B
OD

C
total Height

D
Flange Width

E
Top Flange Width

Tag