

Phone: 410-760-1446
 Fax: 410-760-7564
 Email: Sales@SFI.Zone



190 Penrod Ct
 Suite G
 Glen Burnie, MD 21061

Curb

Style CFO-3

* Company _____ Deliver to Company _____
 * Contact Name _____ Deliver to Address _____
 * Contact Number _____
 Contact Email _____ Site Contact 1 Name _____ Number _____
 P.O. Number/JobName _____ Site Contact 2 Name _____ Number _____
 Date Required _____ Delivery Day/s &Time/s _____

* REQUIRED

Curb Material

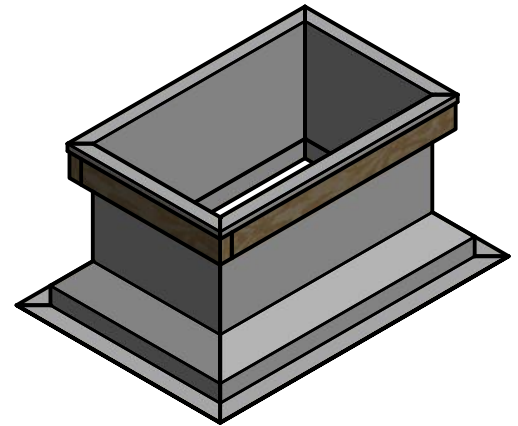
- Galvanized
- Aluminum
- Stainless Steel

Options

- Pressure Treated Nailer

Features

UNITIZED CONSTRUCTION
 CONTINUOUS WELDED CORNER SEAMS
 BUILT-IN RAISED CANT WITH MITERED CORNERS



Material Gauge

- 18 gauge
- 16 gauge
- 14 gauge
- 12 gauge
- 10 gauge

Special Instructions

