

QTY	Curb OD		Curb ID		C	D	E	F	G	P
	A	B	A-3	B-3						
	Curb Width	Curb Depth			Curb Height	Sq to RND Height	Sq to RND Flange Heights (Top & Bottom)	SQ to RND Flange Height (Top & Bottom)	Pipe OD	Curb Pitch

Optional

- 1 1/2" 3lb Density Insulation
- Batt Insulation
- PT Wood Nailer

Curb Material

- Galvanized
- Black Iron
- Stainless Steel
- Aluminum

Pipe Hood Material

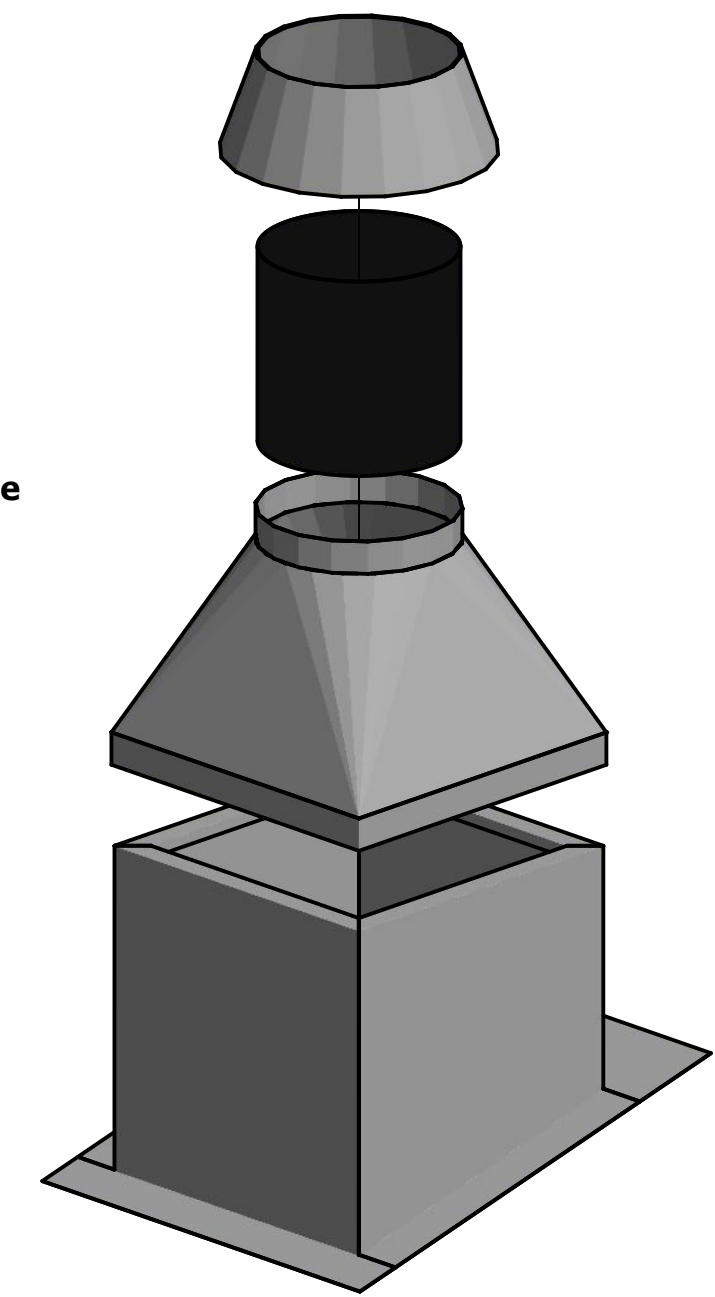
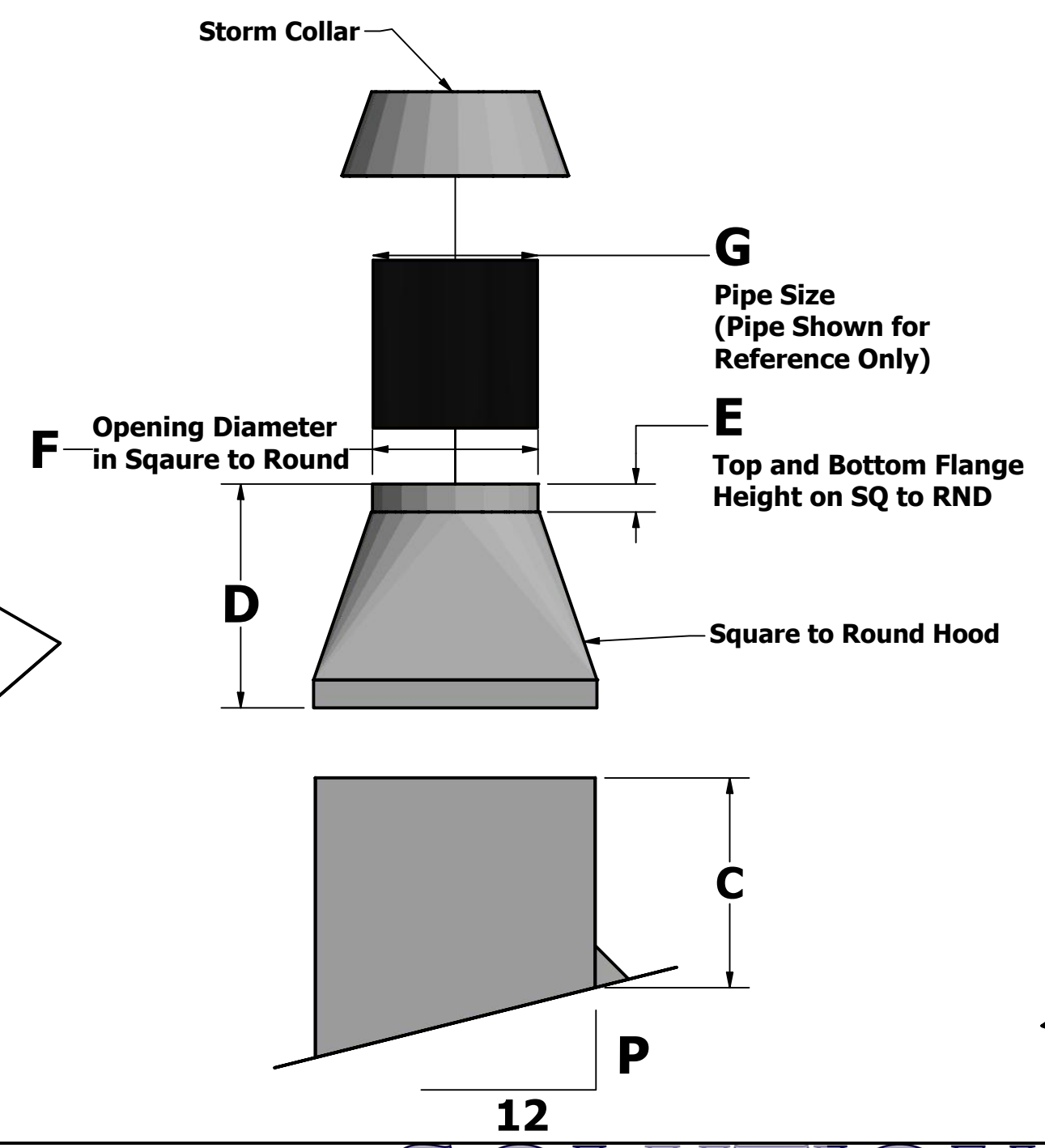
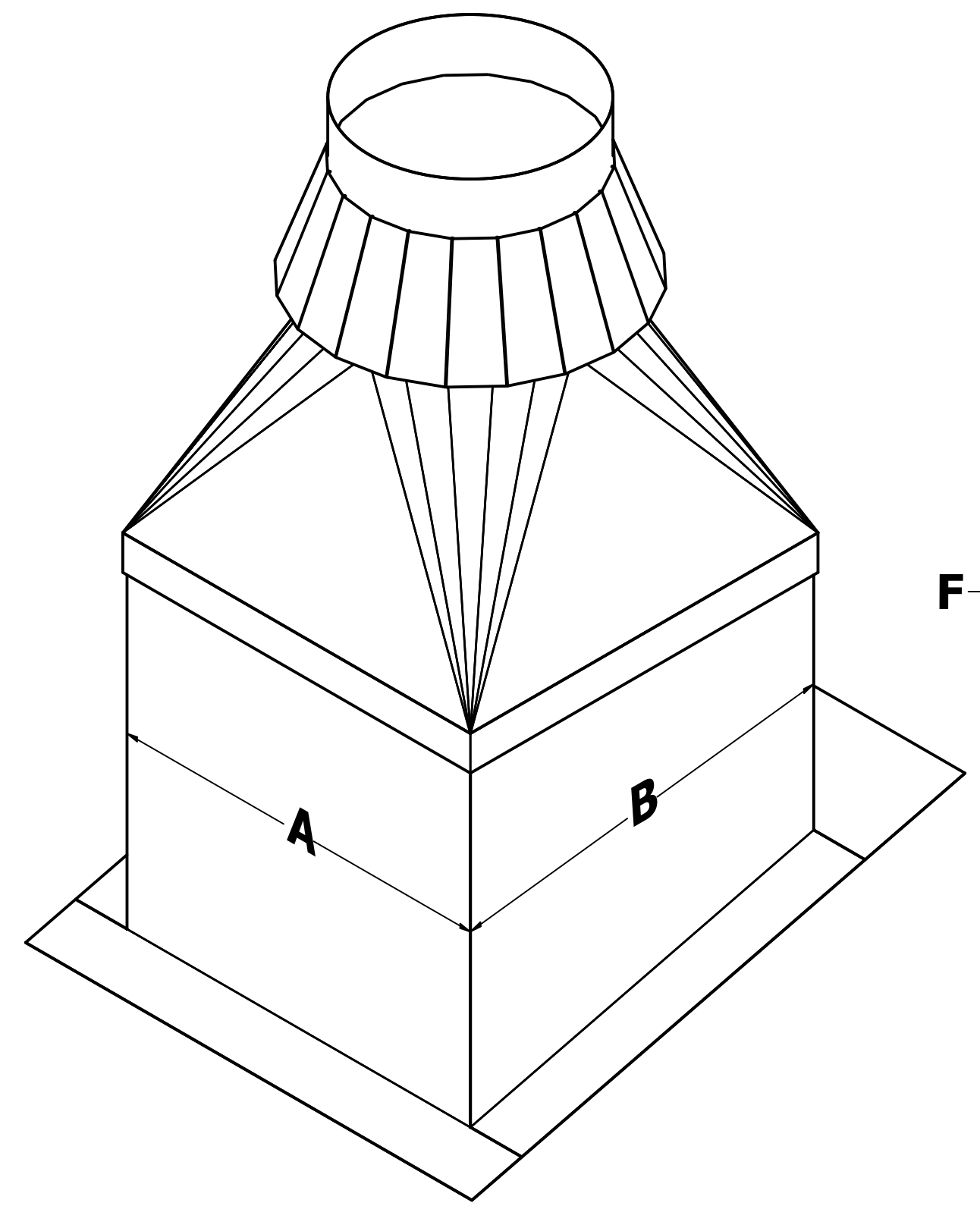
- Galvanized
- Black Iron
- Stainless Steel
- Aluminum

Material Gauge

- 18 gauge
- 16 gauge
- 14 gauge
- 12 gauge
- 10 gauge

Material Gauge

- 20 gauge
- 18 gauge
- 16 gauge
- 14 gauge
- 12 gauge



BY	REV	REVISION DESCRIPTION	DATE	APPD
	A			
	B			
	C			
	D			
	E			
	F			

THE ABOVE DRAWING / DESIGNS ARE THE SOLE PROPERTY OF SOLUTIONS FABRICATING, INC. AND SHALL BE TREATED AS PROPRIETARY INFORMATION. ANY UNAUTHORIZED REPRODUCTION OF ANY OR ALL INFORMATION CONTAINED IN THIS DRAWING IS SUBJECT TO LEGAL ACTION OR ENGINEERING FEES WHICH WILL BE AT THE SOLE DISCRETION OF SOLUTIONS FABRICATING, INC.

TOLERANCES UNLESS OTHERWISE NOTED:
 .XX ± .03
 .XXX ± .015
 .XXXX ± .0005
 FRACTIONAL ± 3/64
 ANGULAR ± 0.5 DEG.



190 Penrod Court - Suite G
 Glen Burnie, MD 21061
 www.solutionsfabricating.com
 TEL: 410-760-1446 FAX: 410-760-7564

DRAWN: CAD-64	DATE: 10/22/2020	CUSTOMER:
CHECKED:	DATE:	TITLE:
APPVD:	DATE:	PROJECT:
SCALE: NOTED	JOB NO:	SALES NO:

DRAWING NO: Sheet 1 of 6

C:\Inventor Working Folder 2019\Engineering Designs Data\Curb Submittals\Pipe-Duct Roof Penetration With Storm Collar.dwg